

$$RT = (Vin - Vpre - Vdext - Vbat(min)) / Ipre$$

$$RT = (15V - 2V - 0.4V - 9V) / 0.02A = 180R$$

$$RP = (Vin(min) - 2V) / Imaxchg * hFE(min)$$

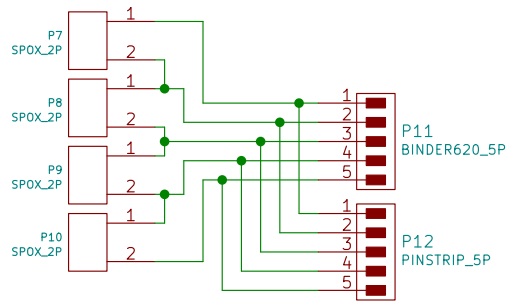
$$RP = (14.8 - 2V) / 0.36A * 20 = 711R \rightarrow 715R$$

$$PD = (Vin(max) - 0.7V) / hFE * Imaxchg - Imaxchg^2 / hfe^2 * Rp$$

$$PD = (15V - 0.7V) / 20 * 0.36A - 0.36A^2 / 20^2 * 715R = 26mW$$

- MH1
- MH2
- MH3
- MH4
- LG1

- VIA1
- VIA2
- VIA3
- VIA4
- VIA5
- VIA6
- VIA7
- VIA8
- VIA9
- VIA10
- VIA11
- VIA12
- VIA13
- VIA14
- VIA15
- VIA16
- VIA17
- VIA18
- VIA19
- VIA



○ LG2

Sheet: /Binder Spox Adapter/
 File: Binder_Spox_Adapter.sch

Title:

Size: A4 Date:
 KiCad E.D.A. kicad (2016-12-30 revision c45cc1d)-makepkg

Rev:
 Id: 2/2